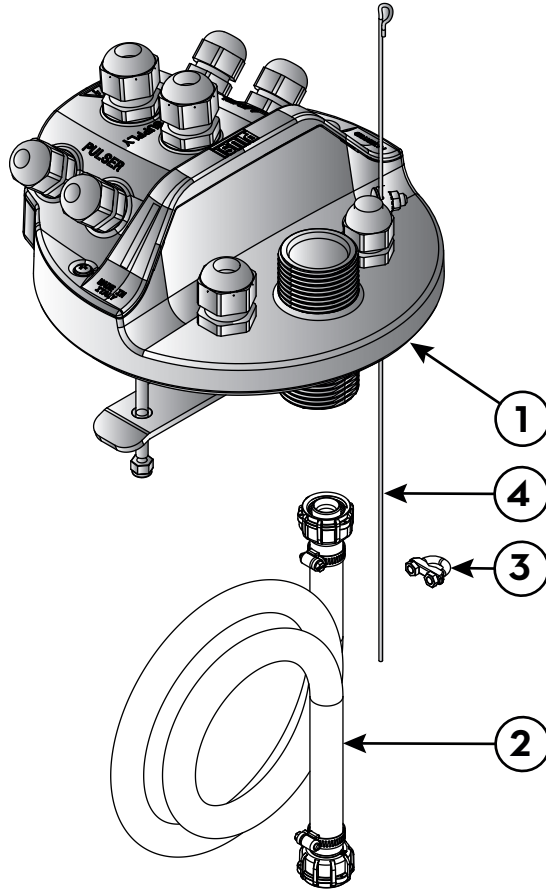




Fluid Handling
Innovation

SUBLOCK Assembly



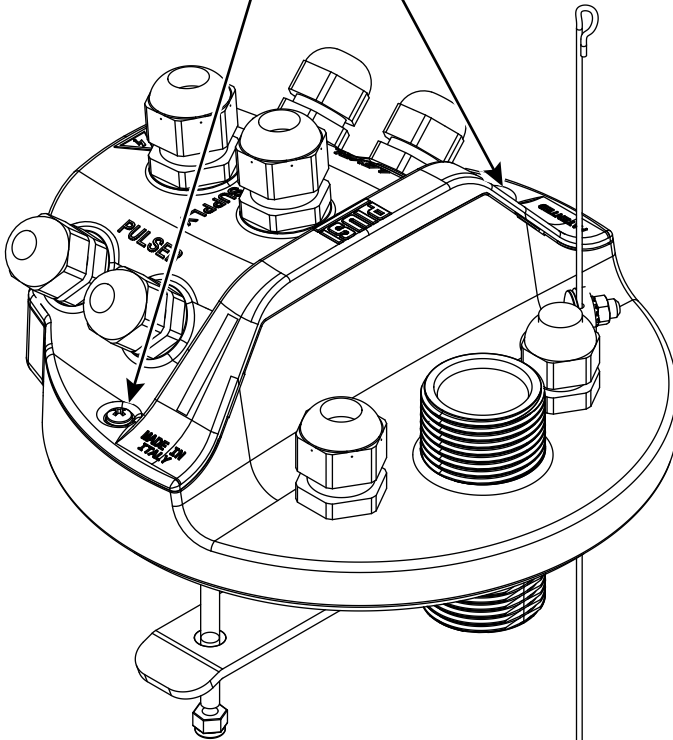
**MADE
IN
ITALY**

SUBLOCK Assembly

BULLETIN MO632 _rev00

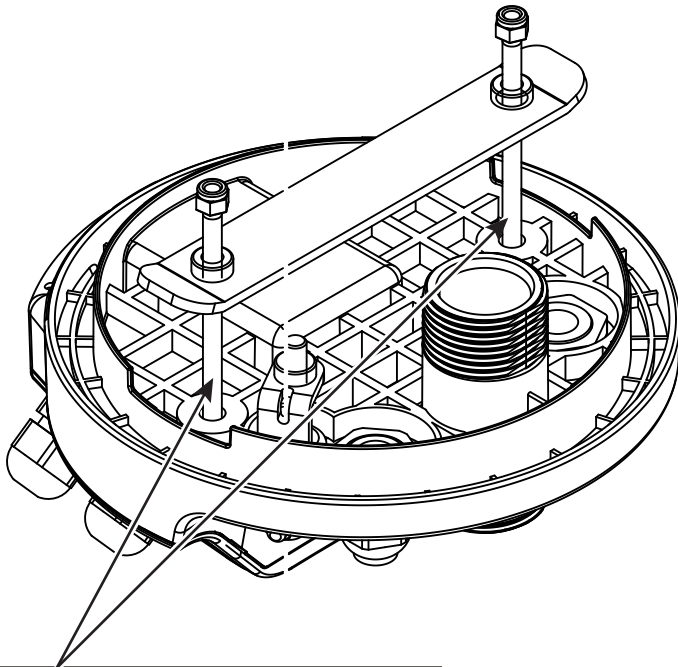
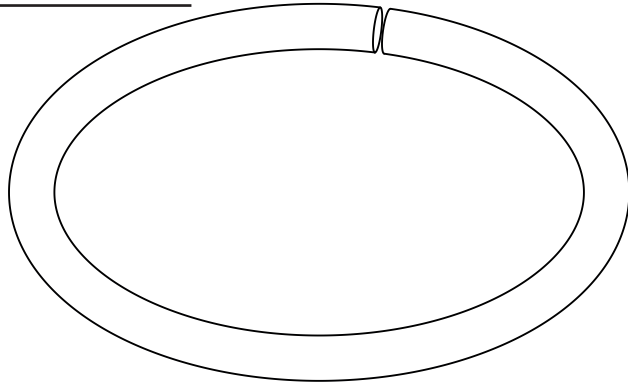
1

BOX SCREW



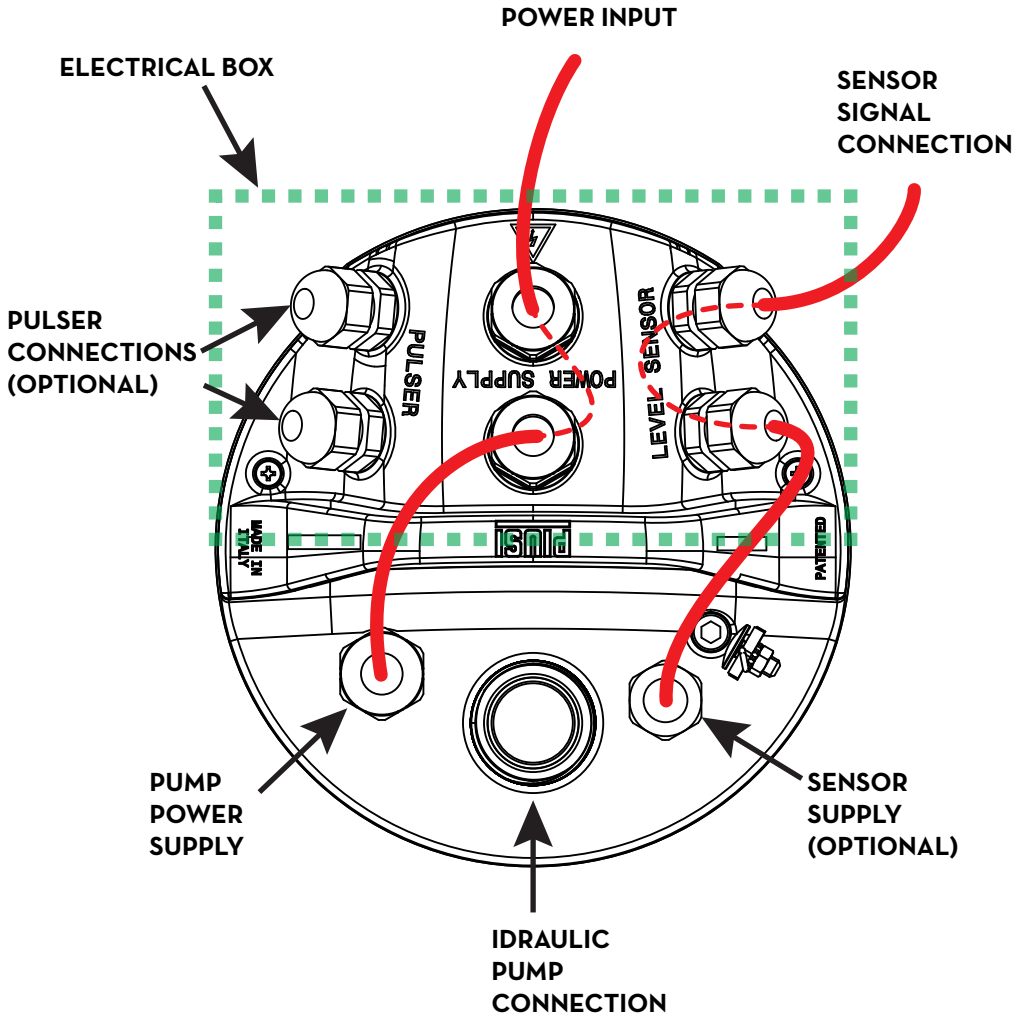
**PUMP
SUSPENSION
CABLE**

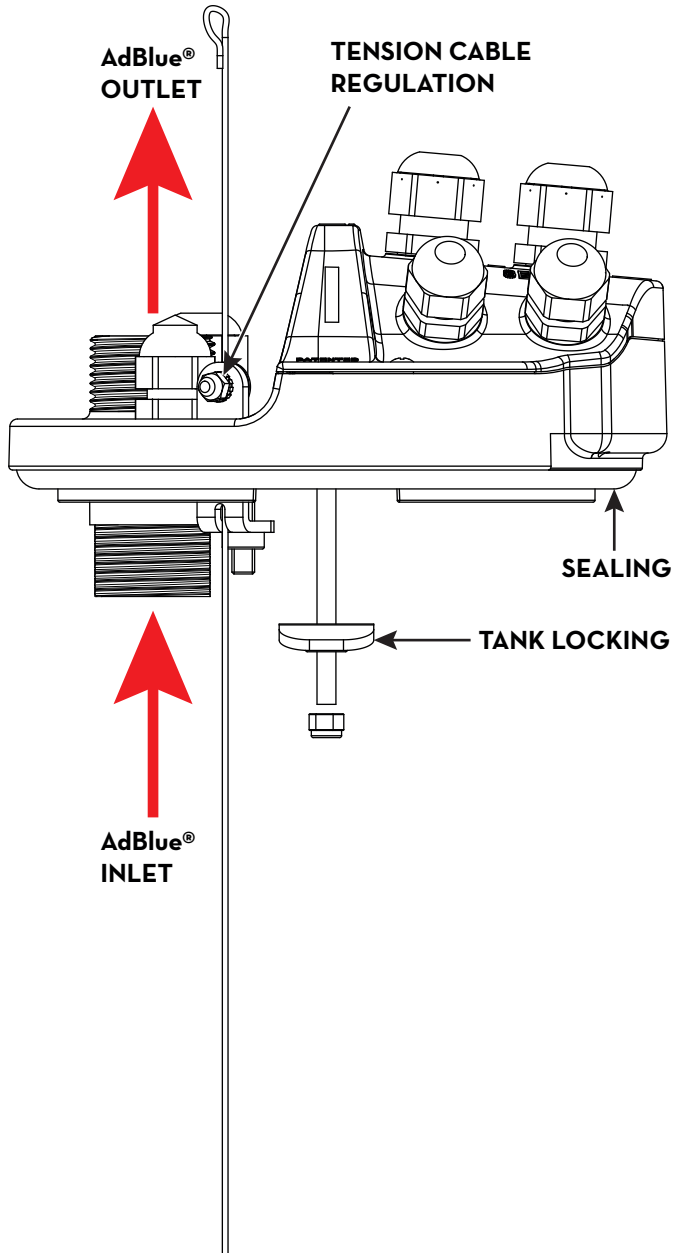
TANK SEALING

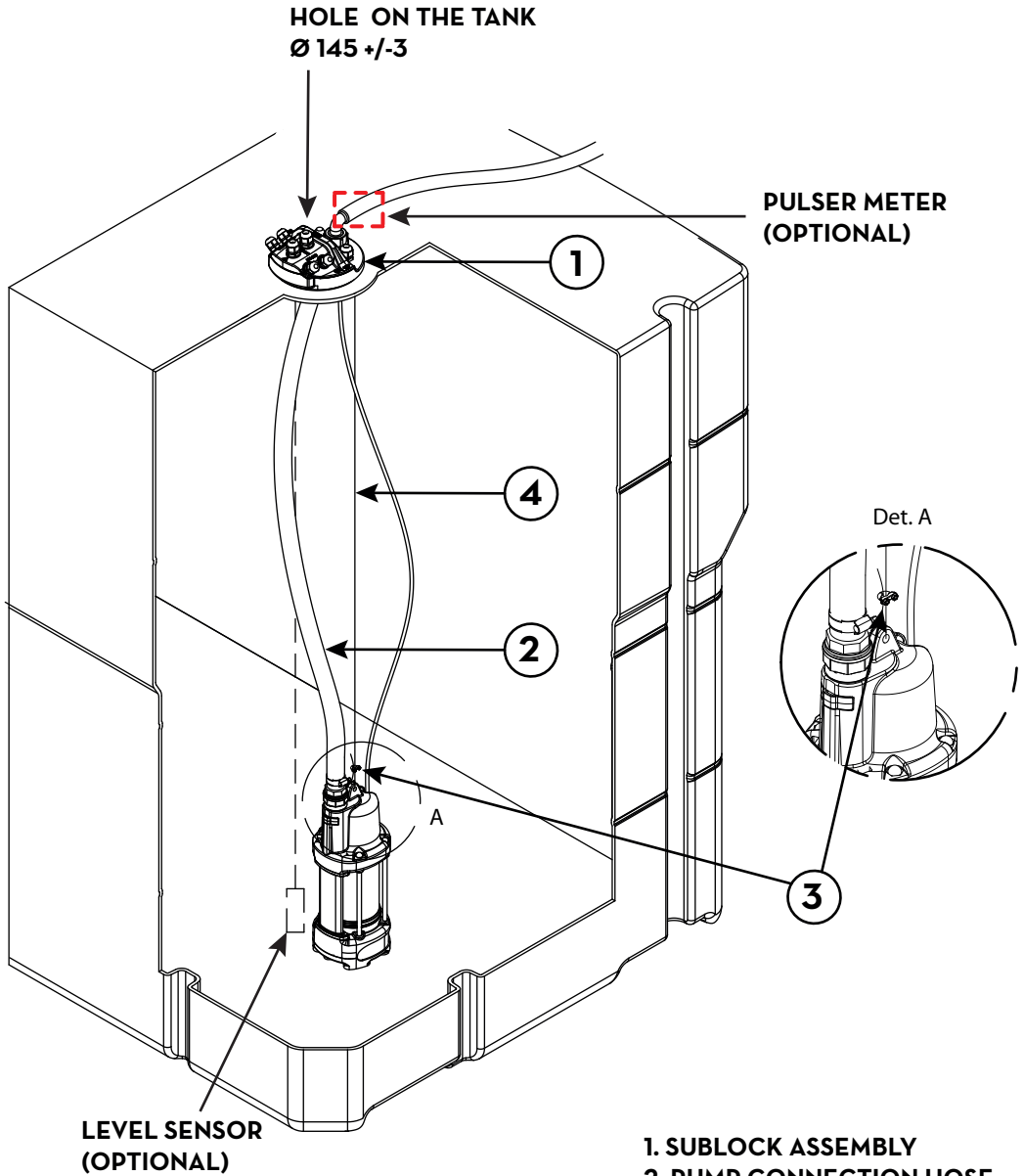


TANK LOCKING SCREW

ELECTRICAL CONNECTIONS







1. SUBLOCK ASSEMBLY
2. PUMP CONNECTION HOSE
3. PUMP SUSPENSION JET
4. PUMP SUSPENSION WIRE





*Fluid Handling
Innovation*